

September 1, 1960

Dr. Meredith J. Sprunger
4109 Plaza Drive
Fort Wayne, Indiana

Dear Meredith:

Hope you had a good vacation and good weather. Glad to hear from your letter of August 14 that Irene is going with you. Hope you have a good trip.

Here are the things which I promised to send you. Use and edit as much or as little of the "Activities" as you want. They're just notes of things I thought might interest outsiders.

I think I've included everything on the list of material available and I think you know what all the different items are. The ones you might not know: The Suggestions for Presenting the U.S. is a mimeograph thing, a couple of sheets, made up by Bill and one or two other people when the book first came out. I just found some extra copies the other day so I put it on the list. The Fundamentals of the Papers (Cosmography, etc.) is the old set of mimeographed sheets which Bill made up long ago with the maps, family trees, organization charts, and so on. I'm sure you have an old set and you reproduced part of it. I am having a lot of copies made up so we'll have them available. Bill did a very good job on that and we need it for new people. The revised version which Bill is working on may not be ready for years. The Outline of General Organization is the list of titles of the papers grouped and classified into an outline. Bill made it up originally and I used it to teach a class on a Wednesday night a couple of years ago. I'm pretty sure you have one. I think you know what all the others are. I'm sure Oklahoma has most, if not all, of these things. I'm glad you asked for this list, as I'm glad to have it for myself. I'll bring it up to date as we add new things.

Warren said he was writing up something for you and I presume he is sending it direct to you. If there's anything more you need or want, please let me know. Good luck and have fun!

Cordially,

Secretary-General

Marian Rowley

Handwritten signature and date:
LWD 9/2

REPORT ON ACTIVITIES AT HEADQUARTERS

Book sales are holding up - in fact, are improving slowly. We are averaging better than one a day now. Sales for this year by months:

January	37
February	23
March	31
April	54
May	43
June	27
July	43
August	47
Total	305

Figures on book store sales for 1959. Foreign - 5 stores, 1 each in 5 cities, in 4 countries - England, Switzerland, Australia, and Egypt. In the United States, we sold through 43 stores and mail order establishments. These were located in 29 cities in 14 states -- for a total of 244 books, more than half of all the books sold in 1959.

The greatest concentration, as might be expected was in California (60 books through 7 stores), Illinois (41 books through 8 stores), and New York (34 books through 8 stores). Another heavy purchaser is a mail order business in Minnesota -- 37 books in 1959. Two of the New York contacts also do a big mail order business -- so the books are going out into many places we're not aware of. These figures do not include the bulk shipments to societies and study groups. A great many books have gone to Australia to one person who is selling them, and of course Los Angeles, Oklahoma, and Glenview have all had bulk shipments.

- - - - -

Study groups are springing up spontaneously and there are probably many about which we know nothing. A year ago a woman from Ft. Worth came into the office and told us that there was a study group in Ft. Worth and they wanted a little help. A few weeks ago a young man came into the office to buy a book and told us that there was a group of young people in Elgin who were studying the book. He had heard of the book through a friend who had visited in Oklahoma City and learned of it through the father of a girl he had met! There is also a group under way in Houston. This came about through Early Spiars -- another direct result of Oklahoma City's activity.

- - - - -

The first book review (that we know of) appeared in the June issue of "CHIMES" -- a spiritualist monthly magazine, claiming a circulation of 10,000. It was quite short, consisting mainly of a paragraph from Page 1 of the book and listing several of the headings from the back page of the paper jacket. It also offered to send the brochure "Excerpts" to anyone requesting. At the time they sent us the review they ordered three books and asked for brochures. We sent a small supply. After quite a long time they ordered three more books and asked for another supply of brochures. But apparently the results of the review were not world-shaking.

- - - - -

We recently received from an associate of Lowell Thomas a copy of one chapter of a forthcoming book about Sir Hubert Wilkins, which contained a paragraph or two about the Urantia Book and the Urantia organization. We were asked to approve this mention. Dr. Sadler replied that the item itself was fine, but asked that it be removed from the chapter in which it had been placed, since the Urantia Book had no connection at all with mind-reading and ESP, which was the theme of the chapter. He suggested that it be moved to some other location in the book. We have heard nothing more.

- - - - -

A gentleman at the Hague, Netherlands, asked for a free reading copy of the book. He said he had published a number of books of this type and mentioned Alice Bailey and Cuspensky, and one of his correspondents thought he might wish to publish this one in Dutch. A copy was sent immediately.

- - - - -

A letter was received from Hamid Bey, who is apparently the head of the Coptic Association in America, stating that he had almost finished the book and would be interested in circularizing his 100,000 followers and asking for any literature we might have. One copy of the brochure was sent him with a letter asking for information about his organization, and nothing more has been heard from him.

- - - - -

A number of books have been placed in public libraries and in college libraries both by the Brotherhood and by individuals. We have evidence that many of these books are being seen and read. We keep getting letters from people who have found the book in a library and want more information or want to have their own copy. We are hoping to get more books into libraries, and are keeping a list of the libraries at headquarters. We would appreciate knowing of any libraries where it has been placed by individuals.

- - - - -

Some of the members of the West Coast Urantia Society are holding study group meetings every other Thursday evening in West Los Angeles. Their meetings are well attended and are set up so that several different people take part. The subjects are assigned well in advance. The members have done an excellent job of interesting new people and many of these people come to the meetings and take part, even though they are not yet members of the society.

Jim Mills, Vice-President of the Urantia Brotherhood, was in Los Angeles Saturday, August 13, and held two meetings with the group at the Steens' home in Pasadena. Twenty-five members of the society and the study group were present and the secretary reported that the meetings were most inspirational and successful.

- - - - -

Jacques Weiss, the French translator, arrived from Paris the afternoon of Sunday, August 21, and was present at the birthday meeting at 533 Diversey that evening. Christy, Leone, and Dr. Sadler read appropriate excerpts from the book. After the meeting was concluded, Doctor introduced Mr. Weiss who told briefly how he happened to receive the book (it was sent to him by an

old-time Forum member, Caroline Brown), how he put it aside for several months thinking he would never read it because it was too big, how he finally started it and was "caught." He has done all of the translation himself in long-hand in notebooks. All of the first three parts have now been typed and are being checked by a man who has been hired by the Foundation. Mr. Weiss is here for two weeks to work out the contract for French publication with the trustees of the Foundation. He is a charming, friendly person and a very spiritually minded man. Everyone who has met him likes him very much.

- - - - -

A recent letter from the Washington Saucer Intelligence told us that the writer was most enthusiastic about the Urantia Book and wanted to take on a sales agency for us. He was sure he could sell a lot of books as he traveled around the country a great deal lecturing on the New Space Age. We set forth the conditions for acting as a vendor and just last week heard from him again. He was to conduct a space age convention in California and wanted some brochures, and he will also be attending a similar convention here in Chicago September 2, 3, and 4, and wanted to meet us. He thought we would probably be at their convention in the Hamilton Hotel. Then came a letter from Topaka, stating that the man and his wife had just finished reading the Urantia Book, were very enthusiastic, wanted to start some study groups, and would be attending the saucer convention in Chicago and wanted to come to our office to meet us. They thought we might be at the convention and hoped that we might be scheduled to have a part in the program. But if we didn't have a part in it, they suggested that they might get a group together and we could appoint a speaker to talk to them.

I replied to both letters saying we would be very glad to have them visit our office and to meet them, and suggested that they call for an appointment sometime over the weekend. I emphasized that it would be an informal discussion, not a formal meeting. If it's Saturday or Sunday I'll be the only one around to talk to them. The point I shall try to make very clear to them is that the Urantia Book is a book on religion, a revelation intended to enlarge our cosmic viewpoint and to show us that we are only a small part of a very large universe; that the main theme of the book is the Fatherhood of God and the brotherhood of man, and the whole thing leads up to an enlargement and an enhancement of the life and teachings of Jesus. The Urantia Book has nothing to do with space ships or saucers. It does not validate them, it does not disprove them, it simply takes no notice of them. Any study groups which are formed must not be integrated with space age groups. As a group, our business is solely religion, but any individual may become involved in any outside activity -- and I'll read the quotation along this line. We'll encourage study groups and help them in all ways possible if they keep the study on the Urantia Book. I may be able to give you a progress report on this after the conference.

FUNDAMENTALS OF THE URANTIA PAPERS

1. Cosmography
2. Personalities
3. Administration

NOTE: The reference numbers following direct quotations from the URANTIA BOOK are set up on the following basis: The first number is the paper (F stands for Foreword), the second number is the number of the section (O stands for the introductory paragraphs before Section 1), and the third number is the number of the paragraph within the section. For example: 11:7:3 means Paper 11, Section 7, the third paragraph in Section 7.

1943
July 1960

URANTIA FOUNDATION
533 DIVERSEY PARKWAY
CHICAGO, ILLINOIS 60614

FUNDAMENTALS OF THE URANTIA PAPERS

PART ONE, DEFINITIVE

1. COSMOGRAPHY

This outline deals with cosmography -- the geography of the cosmos; other presentations will consider its origin (cosmogony) and its character (cosmology).

DEFINITIONS:

Cosmography: "A general description of the world or of the universe; or the science which teaches the constitution of the whole system of worlds, or the figure, disposition, and relation of all its parts." -- Webster.

Cosmology: "That branch of metaphysics which treats of the character of the universe as an orderly system or cosmos; also a treatise relating to the structure and parts of the world system." -- Webster.

Cosmogony: "1. The creation, origination, or manner of coming into being, of the world or universe. 2. A theory or account of the origination of the universe; also such theories considered as a department of knowledge." -- Webster.

"Your world, Urantia, is one of many similar inhabited planets which comprise the local universe of Nebadon. This universe, together with similar creations, makes up the superuniverse of Orvonton ... Orvonton is one of the seven evolutionary superuniverses of time and space which circle the never-beginning, never-ending creation of divine perfection -- the Central Universe of Havona. At the heart of this Eternal and Central Universe is the stationary Isle of Paradise, the geographic center of infinity and the dwelling place of the eternal God.

"The seven evolving superuniverses in association with the Central and Divine Universe, we commonly refer to as the Grand Universe; these are the now organized and inhabited creations. They are all a part of the Master Universe which also embraces the uninhabited but mobilizing universes of outer space." (F:O:5 & 6)

SCHEME OF PRESENTATION: Data have been grouped under four headings --

1. The Cosmos
2. The Isle of Paradise
3. The Master Universe
4. The Grand Universe

I. THE COSMOS

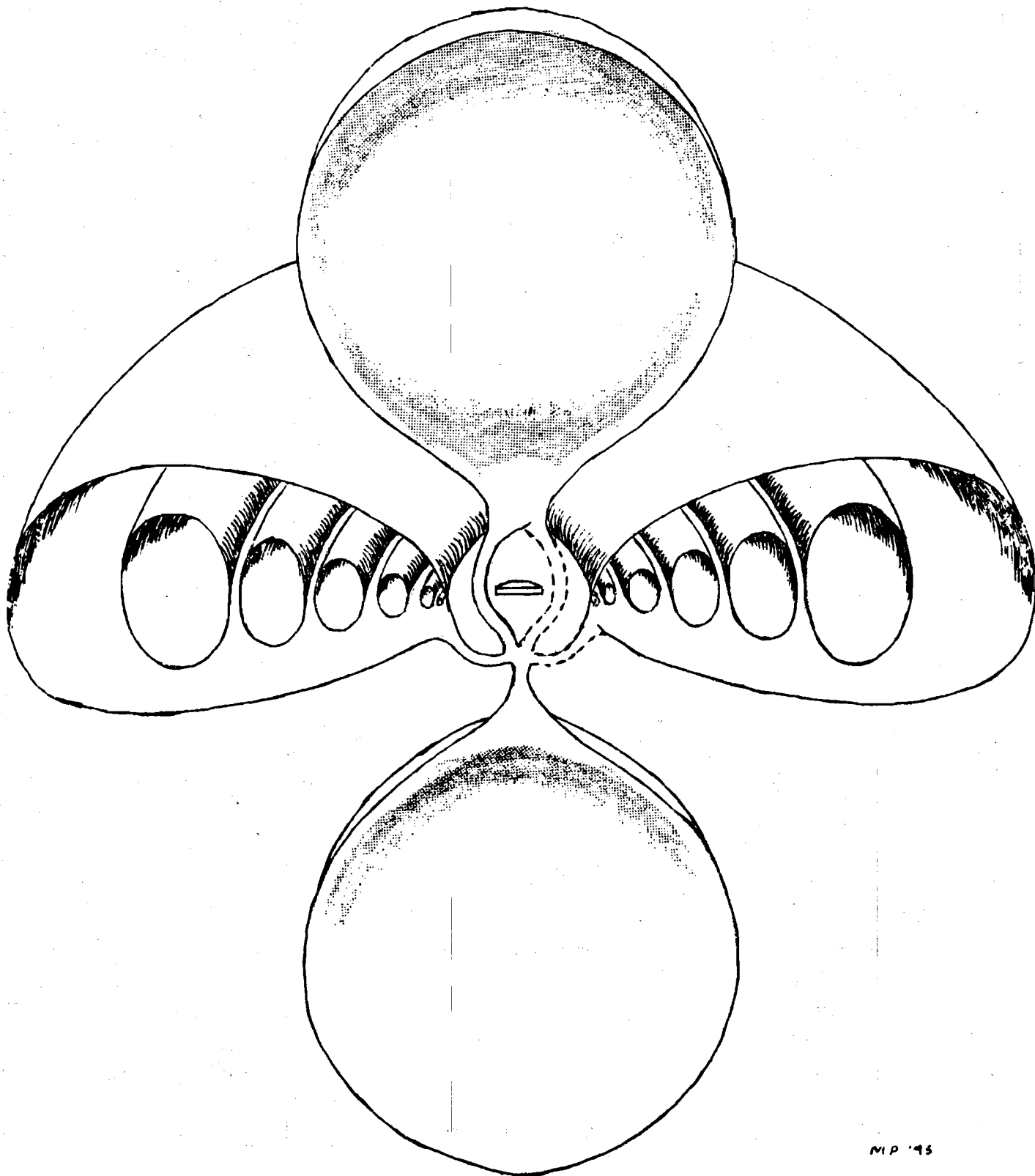
Cosmos is defined as "the universe conceived as an orderly and harmonious system -- contrasted with chaos." -- Webster.

- A. The Isle of Paradise "...is motionless being the only stationary thing in the universe of universes. ... [it] has a universe location but no position in space." (E:IV:12) "Space does not touch Paradise; only the quiescent midspace zones come in contact with the central Isle." (11:7:1)
- B. The Midspace Zones. "Paradise is the actually motionless nucleus of the relatively quiescent zones existing between pervaded and unpervaded space. Geographically these zones appear to be a relative extension of Paradise but there probably is some motion in them. (11:7:2) "These ... zones eventually encompass the borders of all space." (11:7:3)
- C. Space -- Pervaded and Unpervaded. "The vertical cross section of total space would slightly resemble a maltese cross, with the horizontal arms representing pervaded (universe) space and the vertical arms representing unpervaded (reservoir) space. The areas between the four arms would separate them somewhat as the midspace zones separate pervaded and unpervaded space." (11:7:3)
1. Pervaded Space -- the horizontal extension around peripheral Paradise.
 - a. The Master Universe -- creation: actual & potential.
 - (1) The six space levels (Havona + Superuniverses + 4 Outer)
 - (2) The semi-quiet zones between the space levels.
(Once similar to midspace zones; now less quiescent.)
 - b. Space beyond the borders of the Master Universe.
 2. Unpervaded Space -- the vertical extensions above and below Paradise.

"'Unpervaded space' means: unpervaded by those forces, energies, powers, and presences known to exist in pervaded space. ... In attempting to imagine ... these space reservoirs, you might think of an hourglass." (11:6:1-3)
- D. Motion -- of and in space "Space...contains and conditions motion. It even moves. Space motions may be roughly classified as follows": (12:4:5)
1. Primary motion -- space respiration -- the motion of space.
 2. Secondary motion -- alternate swings of space levels.
 3. Relative motions -- do not have Paradise base point.
 4. Compensatory motion correlating all other motions.

I. THE COSMOS (continued)

THE VERTICAL CROSS SECTION OF TOTAL SPACE



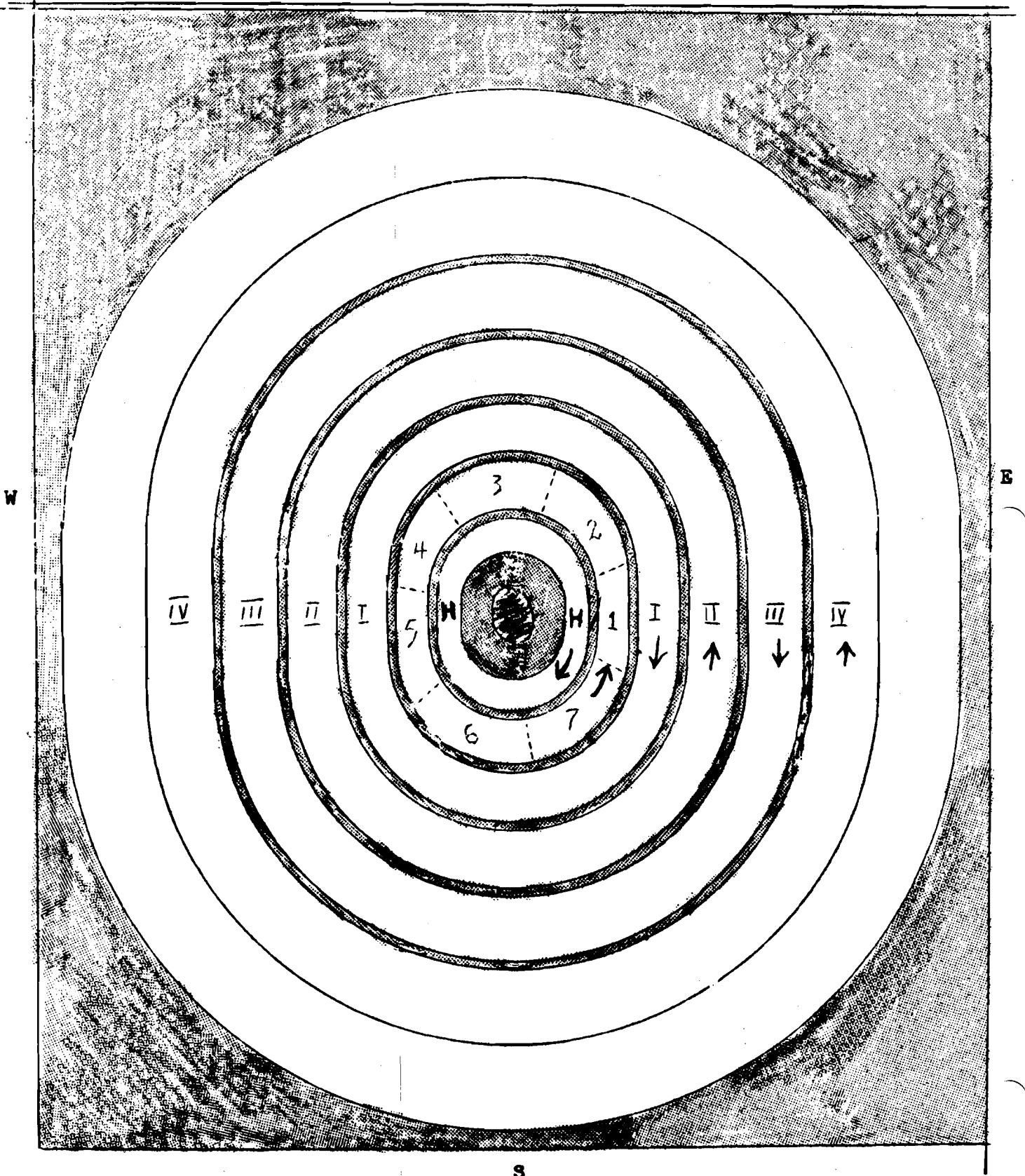
4.

I. THE COSMOS (continued)

Fundamentals - I. Definitive

1. Cosmography

THE HORIZONTAL CROSS SECTION OF THE PERVADED SPACE-EXTENSION



Fundamentals - I. Definitive
 1. Cosmography

I. THE COSMOS (continued)

A CHART OF PARADISE AND THE HORIZONTAL (PERVADED) SPACE-EXTENSION

PARADISE-HAVONA SYSTEM THE GRAND UNIVERSE	<u>The Isle of Paradise</u>	1
	<u>The Mid Space Zones</u>	2
	<u>Pervaded Space:</u>	
	The Central Universe (Havona)	3
	Semi-quiet Zone	4
	Inner belt of dark gravity bodies	5
	A unique Space Intrusion	6
	Outer belt of dark gravity bodies	7
	Semi-quiet Zone	8
	The Seven Superuniverses	9
POST-HAVONA CREATIONS THE OUTER SPACE LEVELS	Semi-quiet Zone	10
	1st Outer Space Level	11
	Semi-quiet Zone	12
	2nd Outer Space Level	13
	Semi-quiet Zone	14
	3rd Outer Space Zone	15
	Semi-quiet Zone	16
	4th Outer Space Level	17
	?? [The Outer Rim] ??	18
	<u>Extra-Master- Universe Space Extension</u>	19
	<u>The Encompassing Mid-Space Zones</u>	20

II. THE ISLE OF PARADISE

"Paradise is the eternal center of the Universe..." (11:0:1)

Dimensions: Paradise is non-spherical -- ellipsoid & flat. If east-west = Unity:
North-south = $7/6$ East-West; and Up-down = $1/10$ th East-West, The
Central Isle therefore has three sides -- (1) Upper, (5) Periphery, and (3) Nether.

A. Upper Paradise.

1. The Deity Presence -- Father, Son and Spirit
2. The Most Holy Sphere -- worship, trinitization, spiritual attainment
3. The Holy Area -- the residential sectors

B. Periphery

Transport arrival and dispatching fields
Force-focal headquarters for the Master Spirits
Historic-Prophetic exhibit areas of local universes

C. Nether Paradise

1. In the central portion -- the Zone of Infinity (unknown & unrevealed)
2. Surrounding this zone -- an unnamed area
3. In the outer margins -- the Paradise force center (tri-concentric)
 - a. Inner zone -- focal point of the functions of Paradise itself.
 - b. Mid-zone -- unknown functions
 - c. Outer zone -- central focalization of the Unqualified Absolute.

III. THE MASTER UNIVERSE

A. "The Paradise-Havona System, the eternal universe encircling the Eternal Isle, constitutes the perfect and eternal nucleus of the Master Universe...the superuniverses and all regions of outer space revolve...around [this] gigantic central aggregation..." (12:1:5)

B. "The Grand Universe is the present organized and inhabited creation. It consists of the seven superuniverses with [a] ... potential of seven trillion inhabited planets... [and] the eternal spheres of the central creation." (12:1:7)

C. The Outer Space Levels. "...the energy and matter of these outer and uncharted regions already equal many times the total...embraced in all seven superuniverses." (12:2:4)

1st Outer Level -- 400,000 lt-yrs distant; 25 million across.

2nd Outer Level -- 50 million lt-yrs beyond "still greater activities."

3rd Outer Level -- beginning to manifest directional trend.

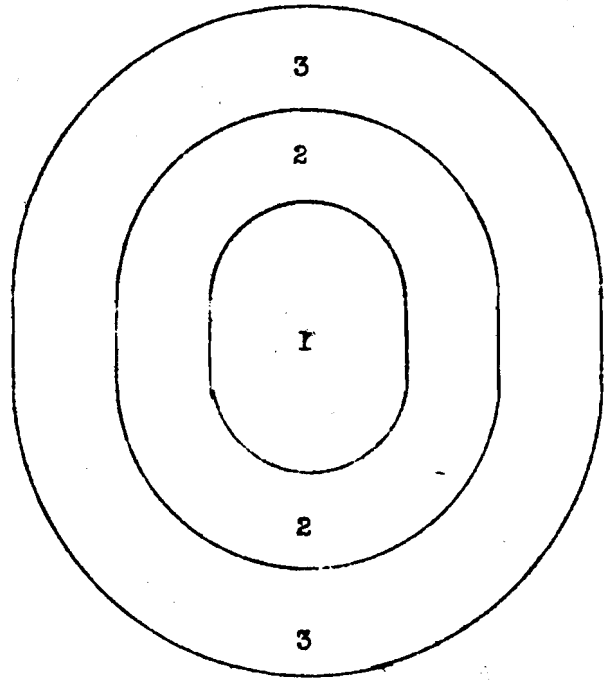
4th Outer Level -- no mention of phenomena.

Fundamentals - I. Definitive
1. Cosmography

PORTRAITURE OF THE ISLE OF PARADISE

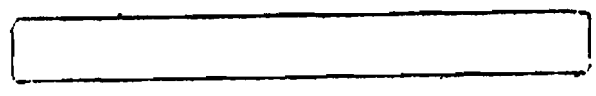
A. Upper Paradise

Top view; looking down.



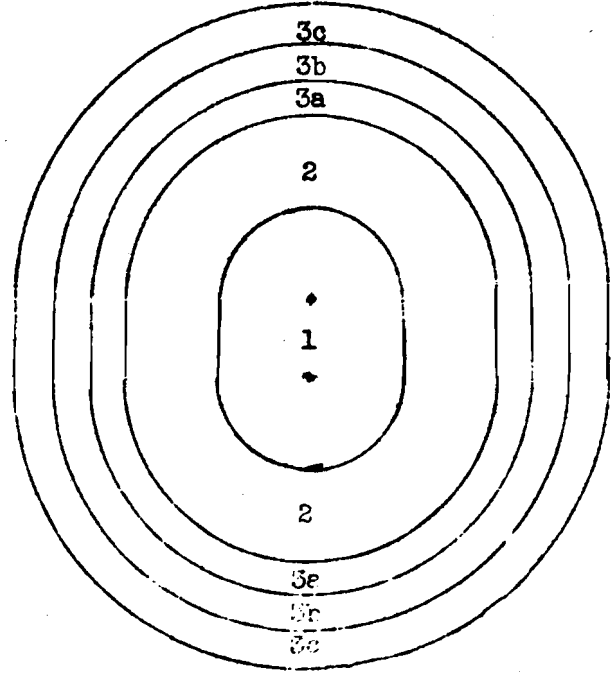
B. Peripheral Paradise

Side view; looking inward.



C. Nether Paradise

Bottom view; looking up.



IV. THE GRAND UNIVERSE

The Seven Superuniverses as Dependent on Havona
The Organized and Inhabited Creation

A. The Central and Divine Universe

"This never-beginning, never-ending universe consists of one billion spheres of sublime perfection and is surrounded by the enormous dark gravity bodies. At the center of Havona is the stationary and absolutely stabilized Isle of Paradise, surrounded by its twenty-one satellites." (12:1:4) "Physically regarded, the Havona and the Paradise circuits are all one and the same system..." (14:1:10)

1. The Paradise Circuits. The 21 Sacred Spheres of Paradise; enormous physical spheres arranged in 3 circuits. "Each circuit is diverse in material, and each world...is different excepting the seven worlds of the Son, which are alike in physical constitution." (13:0:2) "These twenty-one spheres embrace the potentials of the function of the master universe." (13:0:7)

a. Inner Circuit,--	Divinington	1	"The Father's circuit...contains the only inherent personality secrets in the universe of universes." (13:1:1) "The worlds... are really fraternal or status worlds more than actual residential spheres." (13:2:6)
	Sonarington	2	
	Springton	3	
The seven worlds of the Father.	Vicegerington	1 + 2	
	Solitarington	1 + 3	
	Seraphington	2 + 3	
	Ascendington	1+2+3	

b. Mid-circuit -- The seven worlds of the Son. These "are the worlds of the seven phases of pure spirit existence." (13:3:1)

c. Outer-circuit -- The seven worlds of the Spirit. "...the Paradise headquarters of the seven superuniverses..." (13:4:6)

2. The Havona Circuits. "This is the...only settled, perfect, and established aggregation of worlds. This is a wholly created and perfect universe; it is not an evolutionary development." (14:0:2) "The billion worlds of Havona are arranged in seven concentric circuits immediately surrounding the three circuits of Paradise satellites. There are upwards of 35 million worlds in the innermost circuit and over 245 million in the outermost..." (14:1:9) "The...circuits are not superimposed..." (14:1:10) The Havona worlds are enormous material (triata) spheres.

3. The Dark Gravity Bodies. Out beyond the seventh Havona Circuit are the dark gravity bodies. They "...render the central universe a physically balanced and perfectly stabilized creation." (14:1:15) Because of their enormous mass "...the mass content of this central creation is far in excess of the total known mass of all seven sectors of the grand universe." (12:1:4) There are two circuits separated by a unique space intrusion. The inner circuit is tubular, consisting of three concentric-circular groupings. The outer circuit is perpendicular, being ten thousand times higher than the inner.

B. The Seven Superuniverses

"The first post-Havona creation was divided into seven stupendous segments..."(15:0:2)
 These "...seven superuniverses traverse a great ellipse...pursuing a definite...counter-clockwise course around the...central universe." (15:1:2)

The superuniverses are "...not primary physical organizations; nowhere do their boundaries divide a nebular family, neither do they cross a local universe, a prime creative unit. Each...is...a...space clustering of ...one-seventh of the organized... post-Havona creation." (12:1:6)

1. Orvonton "The vast Milky Way starry system represents the central nucleus of Orvonton... This great aggregation...forms a watchlike, elongated-circular grouping of about one-seventh of the inhabited evolutionary universes." (15:3:1) Orvonton is situated "...between superuniverses one and six, having not long since...turned the southeastern bend of the superuniverse space level... For untold ages Orvonton will pursue this...northerly course." (15:1:5)

Uversa. The capital of Orvonton, Uversa, is an architectural sphere. Such superuniverse capitals are "...independently lighted and heated. Each has a sun which gives forth light without heat...each is supplied with heat by the circulation of certain energy currents near the surface of the sphere. These...worlds (are) ...situated near the astronomical center of their respective superuniverses." (15:7:1) "Uversa...is immediately surrounded by the seven higher universities of advanced spiritual training... Each of these seven clusters...consists of seventy specialized worlds." (15:7:10)

2. Major Sectors "Ten major sectors...constitute a superuniverse." (15:2:8) "Of the ten major sectors of Orvonton, eight have been roughly identified by Urantian astronomers." (15:3:4) "...the ten major sectors...(whirl)... about the Uversa headquarters of Orvonton." (15:3:13)

Umajor V "Umajor the fifth, the headquarters of your major sector, Splandon, is surrounded by the seventy spheres of the advancing intellectual training of the superuniverse. (15:7:9)

3. Minor Sectors "One hundred minor sectors...make one major sector." (15:2:7)
 The one hundred minor sectors of Splandon all rotate about their major sector. "The rotational center of your minor sector is situated...in the...star cloud of Sagittarius, around which your local universe and its associated creations all move." (15:3:5)

Uminor III "Uminor the third, the headquarters of your minor sector of Ensa, is surrounded by the seven spheres of the higher physical studies of the ascendant life." (15:7:8)

12.

IV. THE GRAND UNIVERSE (Con't)

Fundamentals I. Defin.
1 Cosmography

A TABULATION OF UNITS

"Excluding the Paradise-Havona spheres, the plan of universe organization provides for the following units:" (15:2:10)

<u>Unit in which we are located</u>		<u>General Designation of Unit</u>	<u>Number of Units in the Grand Universe</u>
<u>Name</u>	<u>Capital</u>		
Orvonton	Uversa	Superuniverse	7
Splandon	Umajor V.	Major Sector	70
Ensa	Uminor III.	Minor Sector	7,000
Nebadon	Salvington	Local Universe	700,000
Norlatiadek	Edentia	Constellation	70,000,000
Satania	Jerusem	System	7,000,000,000
Urantia	----	Inhabited World	7,000,000,000,000

Units are built up approximately as follows:

1,000	inhabited worlds	=	1	system
100	systems	=	1	constellation
100	constellations	=	1	local universe
100	local universes	=	1	minor sector
100	minor sectors	=	1	major sector
10	major sectors	=	1	superuniverse

IV. THE GRAND UNIVERSE (Continued)

Fundamentals I. Defin.
1. CosmographyC. The Local Universes

"One hundred local universes...constitute a minor sector..."(15:2:6) They all swing around their minor sectors, which revolve around the major sectors, which revolve around Uversa. "The local universes are in closer proximity as they approach Havona; the circuits are greater in number, and there is increased superimposition, layer upon layer. But farther out---there are fewer and fewer..." (15:3:16)

1. Nebadon The local universe of Nebadon "...is now well out towards the edge of Orvonton...far to the south and east in the superuniverse circuit." (32:2:11) The mass materialization of our local universe swings around the composite rotation-gravity center of the star cloud of Nebadon.

Salvington "Salvington, the headquarters of Nebadon, is situated at the exact energy-mass center of the local universe." (32:2:4) It is "...surrounded by 10 university clusters of 49 spheres each." (15:7:7)

2. Constellations "One hundred constellations constitute a local universe." (15:2:5) Our constellation "Norlatiadek...is now traversing the outer fringe of Nebadon." (41:10:5)

Edentia Our constellation headquarters is "...a cluster of 771 architectural spheres, the centermost and largest of which is Edentia... approximately 100 times as large as your world. The 70 major spheres surrounding Edentia are about 10 times the size of Urantia, while the 10 satellites which revolve around each of these 70 worlds are about the size of Urantia." (43:0:2)

3. Systems "One hundred systems...make up a constellation." (15:2:4) Our system, Satania "...is one of 100 local systems which make up... the constellation of Norlatiadek... Satania, itself, is composed of over 7,000 astronomical groups or physical systems..." (41:2:1,2) "Satania...is next to the outermost system of Norlatiadek..." (41:10:5)

Jersem The capital of Satania "...is almost 100 times the size of Urantia ... Jersem's major satellites are the 7 transition worlds, each of which is about 10 times as large as Urantia, while the 7 subsatellites of these transition spheres are just about the size of Urantia. The 7 mansion worlds are the 7 subsatellites of transition world number one." (45:0:1,2)

4. Inhabited Worlds "All inhabited worlds are basically grouped...into the local systems, and each of these local systems is limited to about one thousand evolutionary worlds." (49:0:2) "Satania...is an unfinished system containing only 619 inhabited worlds. Such planets are numbered serially in accordance with their registration as inhabited worlds..." (49:0:3)

Urantia Our world is Number 606 of Satania. "Urantia is comparatively isolated...your solar system, with one exception, being the farthest removed from Jerusem..." (41:10:5)

2. PERSONALITIES

[THE UVERSA PERSONALITY REGISTER]

"The Divine Family of Living Beings is registered on Uversa in seven grand divisions:

- "1. The Paradise Deities
- "2. The Supreme Spirits
- "3. The Trinity-origin Beings
- "4. The Sons of God
- "5. Personalities of the Infinite Spirit
- "6. The Universe Power Directors
- "7. The Corps of Permanent Citizenship

"...this classification of the personalities of the Grand Universe is...chiefly concerned with setting forth those orders...revealed in these narratives... [and] make no mention of vast orders of universe beings..." (30:2:1-2)

"There are on Uversa the records of numerous additional groups of intelligent beings...among such orders are...three composite personality groups." (30:2:11)

(continued over)

 Memorandum of Abbreviations

<u>Persons & Functions</u>		<u>Localities</u>	
Universal Father	1	Master Universe	m/u
Eternal Son	2	Grand Universe	g/u
Creator Son	2'	Central Universe	c/u
Infinite Spirit	3	Superuniverse	s/u
Creative Spirit	3'	Local Universe	l/u
Paradise Trinity	T	Paradise	P
Seven Master Spirits	7	Havona	H
Reflective Spirits	R	Paradise-Havona	P/H
Fusion-spirit of	O	Urantia	U
Embrace of	()		
Evolutionary	E		
Unqualified Absolute	Uq/A		
Universal Absolute	Un/A		
Deity Absolute	D/A		

2. THE UVERSA PERSONALITY REGISTER

I. THE PARADISE DEITIES

Origin

- | | |
|-------------------------|-------|
| 1. The Universal Father | 0 |
| 2. The Eternal Son | 1 |
| 3. The Infinite Spirit | 1 + 2 |

II. THE SUPREME SPIRITS

[Of Origin in the Trinity]

- | | |
|---------------------------------|--------------|
| 1. The Seven Master Spirits | T |
| 2. The Seven Supreme Executives | T |
| 3. 7 Groups of Reflective Spts. | T + (1 of 7) |

[Created by Inf. Sp. or Assoc.]

- | | |
|------------------------------------|----|
| 4. The Reflective Image Aids | R |
| 5. The Seven Spts. of the Circuits | 7 |
| 6. Local Universe Creative Spirits | 3 |
| 7. Adjutant Mind-Spirits | 3' |

III. THE TRINITY ORIGIN BEINGS

[Supreme Trinity Origin]

- | | |
|------------------------------------|---|
| 1. Trinitized Secrets of Supremacy | T |
| 2. Eternals of Days | T |
| 3. Ancients " " | T |
| 4. Perfections " " | T |
| 5. Recents " " | T |
| 6. Unions " " | T |
| 7. Faithfuls " " | T |

[Co-ordinate Trinity Origin]

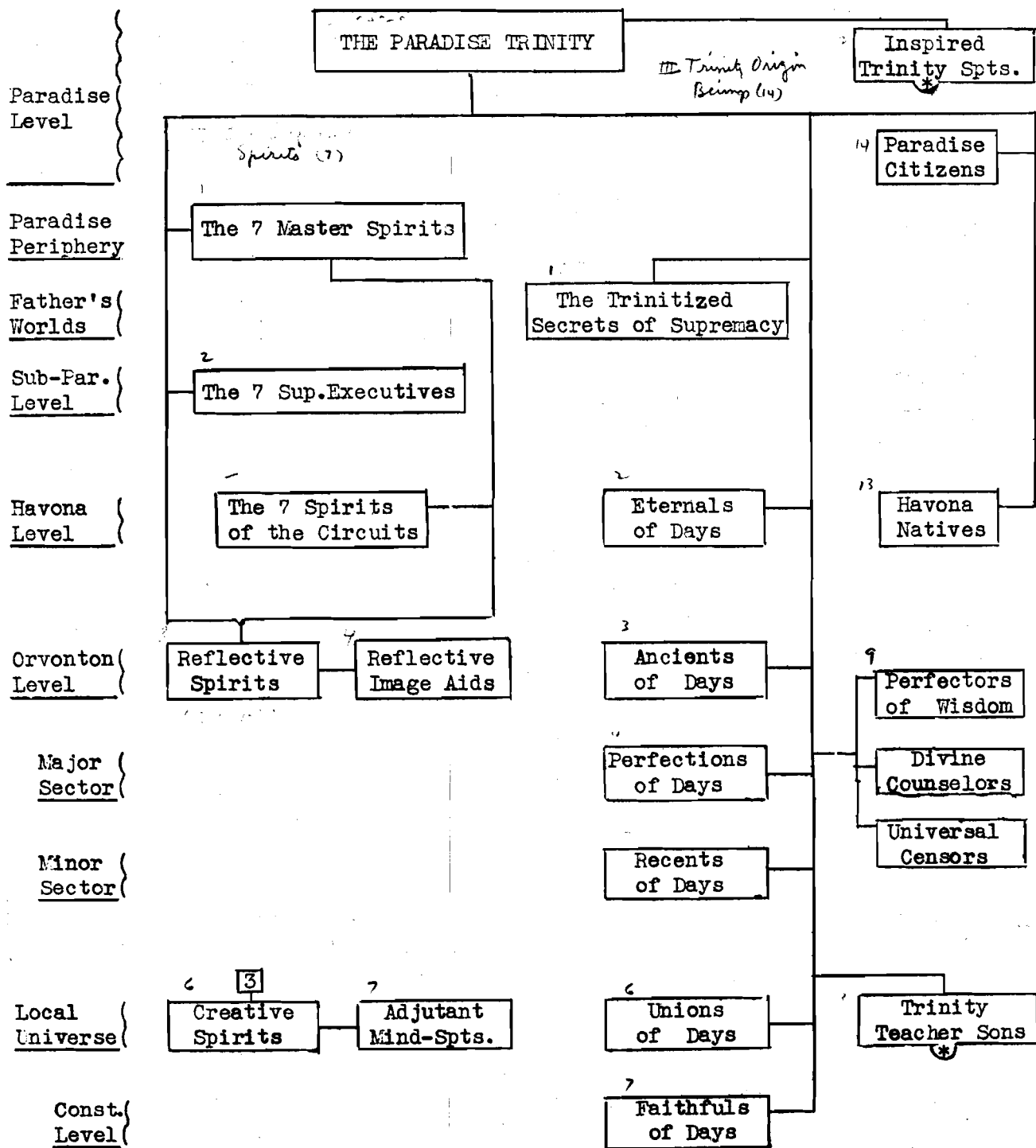
- | | |
|------------------------------|-----|
| 8. Trinity Teacher Sons | T |
| 9. Perfectioners of Wisdom | T |
| 10. Divine Counselors | T |
| 11. Universal Consors | T |
| 12. Inspired Trinity Spirits | T |
| 13. Havona Natives | T |
| 14. Paradise Citizens | T ? |

Fundamentals - I. Definitive
2. Personalities

THE FAMILY TREE OF —

II. The Supreme Spirits
and
III. The Trinity Origin Beings

* = Universal Function
3 = Created by Inf. Spirit



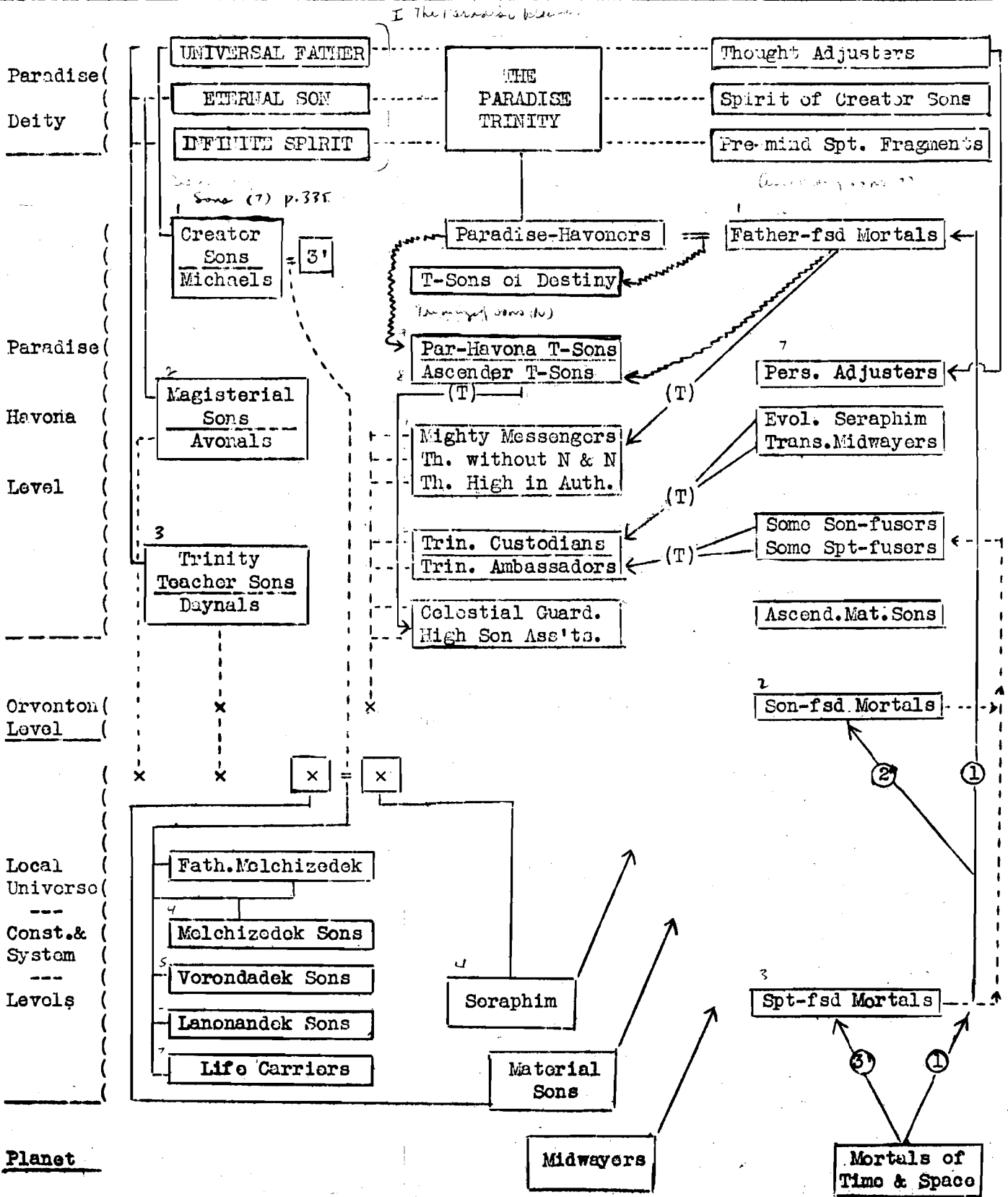
THE FAMILY TREE OF -

(IV. THE SONS OF GOD)

Fundamentals - I. Definitive

2. Personalities

~~~~ = Creature trinitization  
 x = Location of Function  
 (T) = Embrace of Par. Trinity



IV. THE SONS OF GOD

Origin

A. Descending Sons of God

{ Paradise Sons of God }

- 1. Creator Sons - Michaels 1 + 2
- 2. Magisterial Sons - Avonals 2 + 3
- 3. Trinity Teacher Sons - Daynals T

{ Local Universe Sons of God }

- 4. Melchizedek Sons (F-Melch + 2' + 3')
- 5. Vorondadek Sons 2' + 3'
- 6. Lanonandek Sons 2' + 3'
- 7. Life Carrier Sons (1 Anc/Days + 2' + 3')

B. Ascending Sons

- 1. Father-fused Mortals E & ①
- 2. Son-fused " E & ②'
- 3. Spirit-fused " E & ③'
- 4. Evolutionary Seraphim 3'
- 5. Ascending Material Sons 2' & ①
- 6. Translated Midwayers E & ①
- 7. Personalized Adjusters 1

C. Trinitized Sons

{ Trinitized Sons of Attainment } (T)

- 1. Mighty Messengers
  - 2. Those High in Authority
  - 3. Those without Name and Number
- } mortal  
} finaliters

{ Trinitized Sons of Selection } (T)

- 4. Trinitized Custodians { Seraphim  
Midwayers
- 5. Trinitized Ambassadors { Son Fused Mortals  
Sp. Fused Mortals

{ Trinitized Sons of Perfection } (T)

- 6. Celestial Guardians
  - 7. High Son Assistants
- } Creature-  
} Trinitized

{ Creature-Trinitized Sons }

- 8. Ascender Trinitized Sons
  - 9. Paradise-Havona Trin. Sons
  - 10. Trinitized Sons of Destiny
- } Creature-  
} Trinitized

V. PERSONALITIES OF THE INFINITE SPIRIT Origin

A. Higher Personalities of the Inf. Sp.

- 1. Solitary Messengers 3
- 2. Universe Circuit Supervisors 3
- 3. Census Directors 3
- 4. Personal Aids of the Inf. Sp. 3
- 5. Associate Inspectors 3 + 7
- 6. Assigned Sentinels 3
- 7 Graduate Guides ? Ex Servitals

B. The Messenger Hosts of Space

- 1. Havona Servitals 7 + Pwr.Dir
- 2. Universal Conciliators R
- 3. Technical Advisors Recruited
- 4. Celestial Recorders Recruited
- 5. Custodians of Records on Paradise Recruited
- 6. Morontia Companions 3'
- 7. Paradise Companions Recruited

C. The Ministering Spirits

[--of the Central Universe]

- 1. Supernaphim { Primary 3  
 Secondary 7  
 Tertiary Hav. Circ. Spts

[--of the Superuniverses]

- 2. Seconaphim (3 orders) R
- 3. Tertianaphim 3
- 4. Omniaphim 3 + Sup.Exec

[--of the Local Universes]

- 5. Seraphim (7 orders) 3'
- 6. Cherubim and Sanobim 3'
- 7. Midway Creatures E



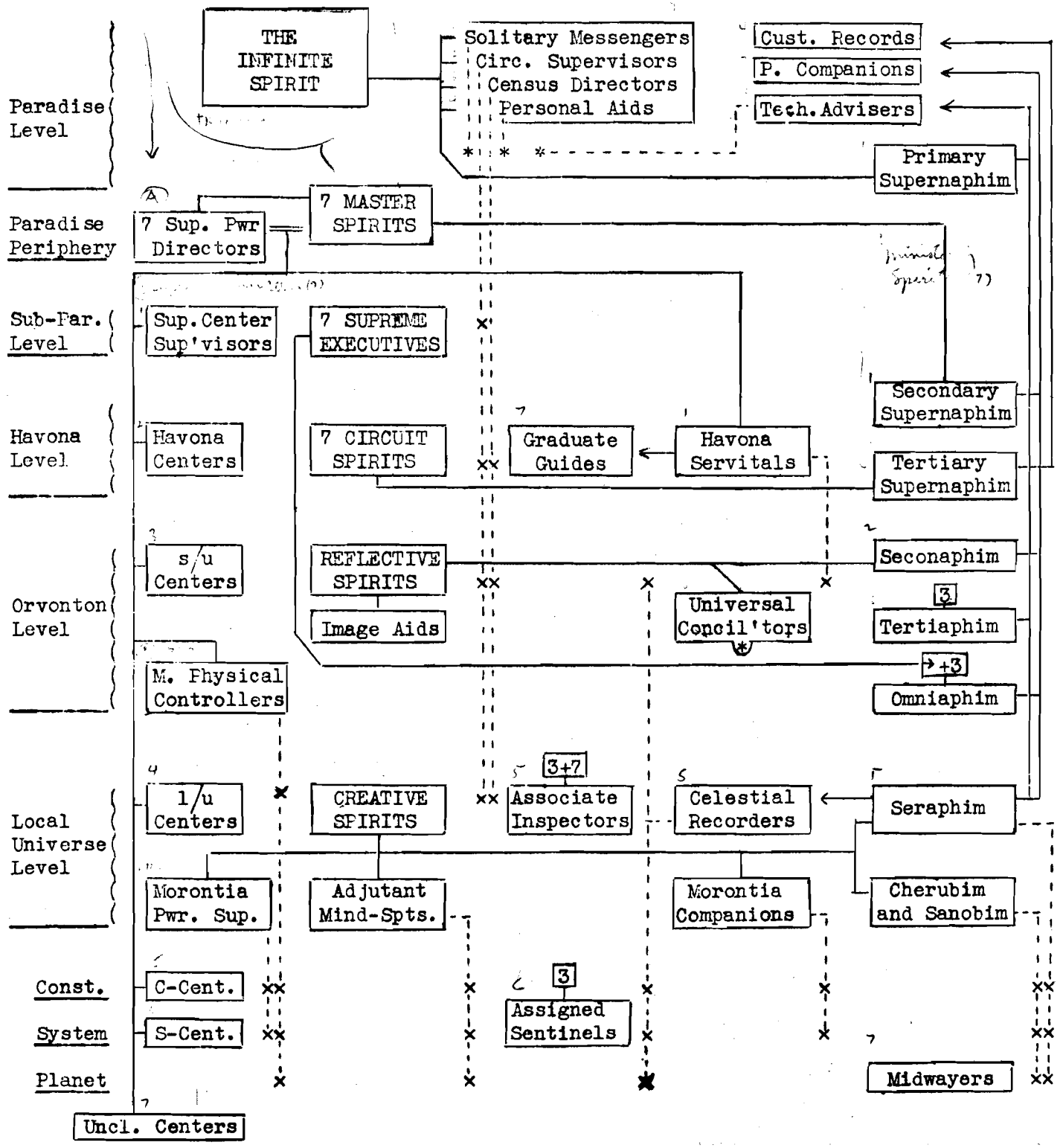
Fundamentals - I. Definitive  
2. Personalities

THE FAMILY TREE OF --

V. Personalities of the Infinite Spirit  
and

VI. The Universe Power Directors

- N \* = Universal Function
- O x = Location of function
- T 3 = Created by Inf. Spirit
- E 7 = Created by Master Spts.

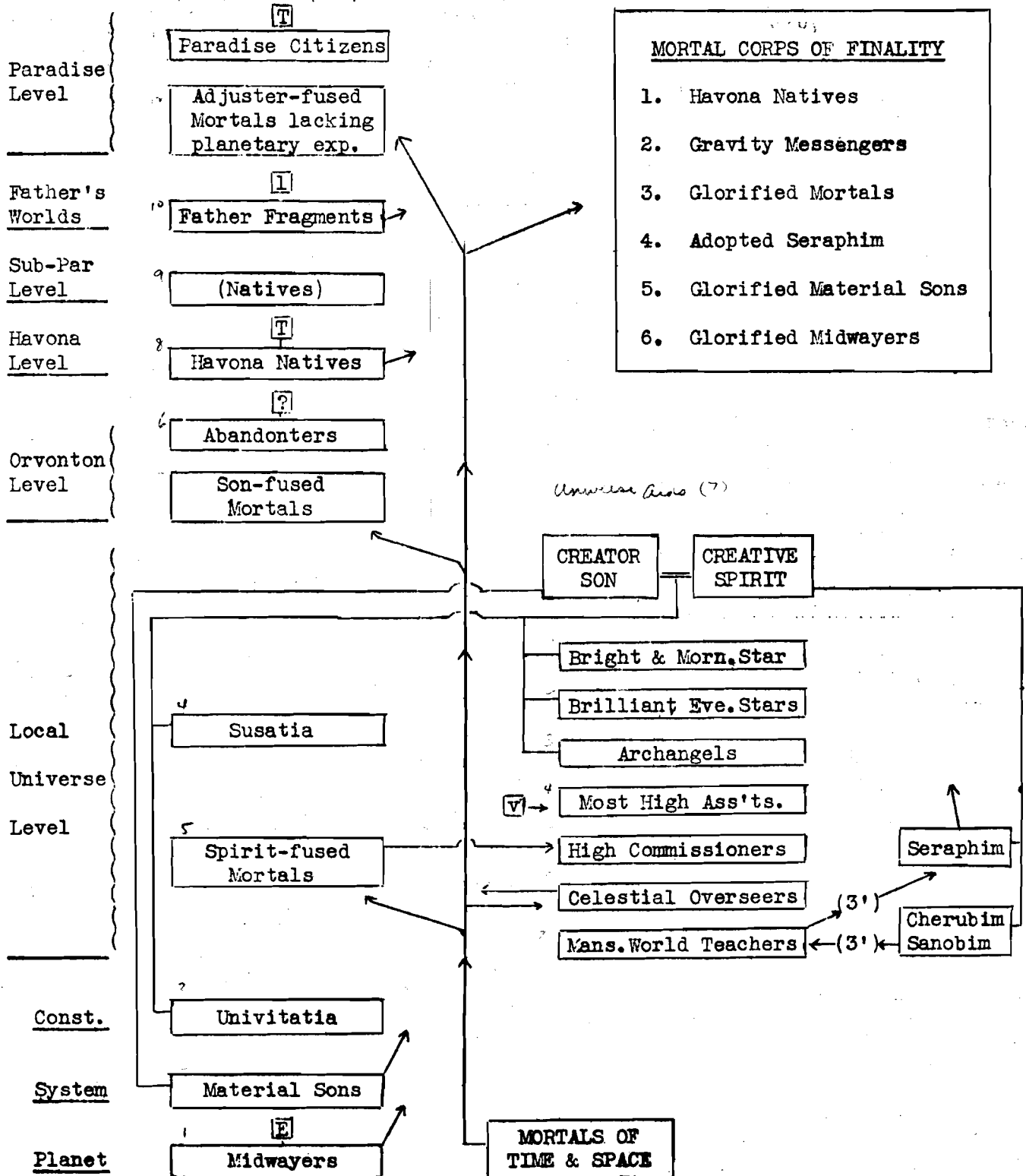


THE FAMILY TREE OF --

Fundamentals - I. Definitive  
2. Personalities

- VII. The Corps of Permanent Citizenship  
 A. (1) The Corps of Mortal Finalizers  
 and  
 B. The Universe Aids

- T = Of origin in the Trinity  
 1 = Of origin in the Father  
 v-> = Various s/u & c/u orders  
 (3') = Embrace of Creative Spirit



Fundamentals -- I. Definitive  
2. Uversa Pers. Reg. (Cont.)

| VI. THE UNIVERSE POWER DIRECTORS     | Origin      |
|--------------------------------------|-------------|
| A. The Seven Supreme Power Directors | 7           |
| B. Supreme Power Centers             | 7 + Pwr.Dir |
| C. Master Physical Controllers       | Pwr.Centers |
| D. Morontia Power Supervisors        | 3'          |

| VII. THE CORPS OF PERMANENT CITIZENSHIP |           |
|-----------------------------------------|-----------|
| 1. Midwayers                            | F         |
| 2. Adams                                | 2'        |
| 3. Univitatia                           | 2' + 3'   |
| 4. (Susatia                             | 2' + 3'   |
| 5. (Spirit-fused Mortals                | E & ③     |
| 6. (Abandoners                          | s/u - ? - |
| 7. (Son-fused Mortals                   | E & ②     |
| 8. to 12. (Five other groups)           |           |

## COMPOSITE PERSONALITY GROUPS

|                                       |                 |
|---------------------------------------|-----------------|
| A. The Paradise Corps of the Finality |                 |
| 1. The Corps of Mortal Finaliters     |                 |
| a. Havona Natives                     | T & ①           |
| b. Gravity Messengers                 | 1               |
| c. Glorified Mortals                  | E & ①           |
| d. Adopted Seraphim                   | 3' & ①          |
| e. Glorified Material Sons            | 2' & ①          |
| f. Glorified Midway Creatures         | E & ①           |
| 2. to 7. (Six non-mortal Corps)       |                 |
| B. The Universe Aids                  |                 |
| 1. Bright and Morning Stars           | 2' + 3'         |
| 2. Brilliant Evening Stars            | 2' + 3'         |
| 3. Archangels                         | 2' + 3'         |
| 4. Most High Assistants               | c&s/u various   |
| 5. High Commissioners                 | E & ③           |
| 6. Celestial Overseers                | 1/u various     |
| 7. Mansion World Teachers             | Cherubim + (3') |
| C. The Seven Courtesy Colonies        |                 |
| 1. Star Students                      | various         |
| 2. Celestial Artizans                 | "               |
| 3. Reversion Directors                | "               |
| 4. Extension School Instructors       | "               |
| 5. Various Reserve Corps              | "               |
| 6. Student Visitors                   | "               |
| 7. Ascending Pilgrims                 | "               |

## Fundamentals - I. Definitive

## 3. ADMINISTRATION

"The sovereignty of God is unlimited; it is the fundamental fact of all creation." (3:6:2)

1. Grand Universe Administration

"...in the universes of time and space the Father is not discernably absolute as total Deity except in the Paradise Trinity." (10:3:8)

"In his contact with the post-Havona creations, the Universal Father does not exercise his infinite power and final authority by direct transmittal but through his Sons...and God does all this of his own free will." (3:5:1)

2. Superuniverse Administration

"As far as the Paradise Trinity is concerned outside Havona, there are just seven inhabited universes, the seven superuniverses which hold jurisdiction over the first post-Havona space level." (15:0:1)

3. Administrative Co-ordination

"The seven groups of Supreme Spirits constitute the nucleus of the functional family of the Third Source and Center...they unify the descending administrative levels and co-ordinate the manifold functions of the personnel thereof." (17:8:1)

4. Local Universe Administration

"As far as the Eternal Son and the Infinite Spirit are concerned the universes are localized...under the joint rule of the Creator Sons and the Creative Spirits." (15:0:1)

5. Universal Overcontrol

"...who fosters and cares for the fundamental needs of the Master Universe as a whole, from Paradise to the fourth and outermost space level? Existentially such overcare is probably attributable to the Paradise Trinity." (12:6:8)

I. GRAND UNIVERSE ADMINISTRATION (NOTES)

There are five essentially distinct but perfectly correlated lines of administrative authority in the grand universe:

A. The Paradise Trinity.

While this line of authority bifurcates through the order of Days and the Master Spirits, the latter are separately considered. Note that the order of Days embrace three levels of direct sovereignty:

1. Trinitized Secrets of Supremacy on the Father's Worlds.
2. Eternals of Days on the billion worlds of Havona.
3. Ancients of Days, rulers of the superuniverses.

While the orders of Days on sub-Orvonton levels are directly representative of the Trinity, they are administratively responsible to the Ancients of Days.

B. The 7 Master Spirits.

1. Direct administration: in Havona, the Circuit Spirits; in Orvonton, the Reflective Spirits and the Ancients of Days.
2. Indirect administration: the Creative Spirits are, by nature like the Master Spirit of superuniverse jurisdiction.
3. The Supreme Executives (board of managers for the Master Spirits) maintain administrative contact with all levels.

C. The Infinite Spirit.

This line of administrative authority intersects that of the Master Spirits in Havona (Circuit Spirits) but has its principal expression in the Creative Spirits of the local universes.

D. The Father-Son.

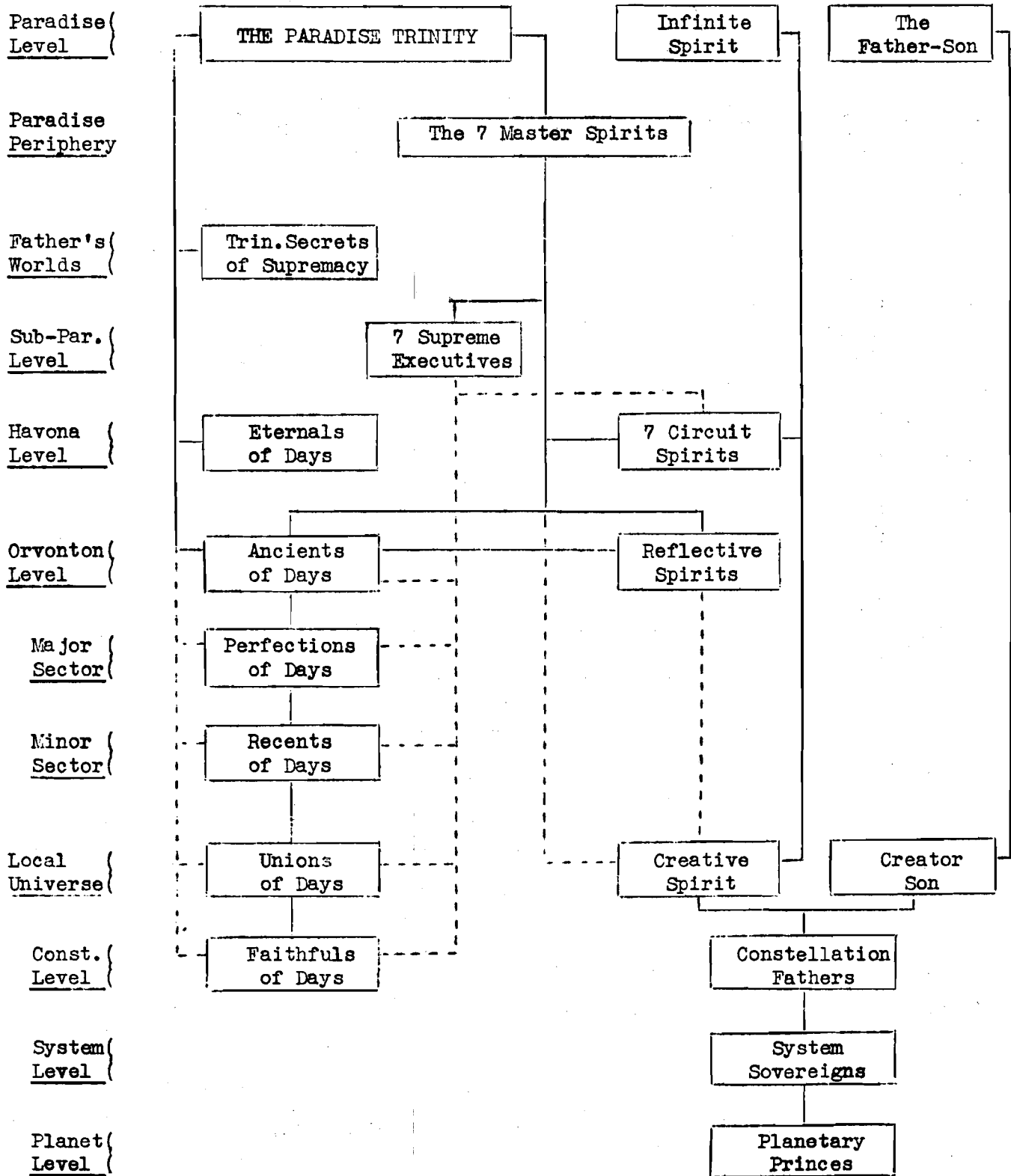
This is a direct line of administration extending straight out from Paradise to the Creator Sons of the local universe being otherwise unaffiliated with grand universe administration.

E. The Son-Spirit.

This administrative line stems from the Creator Son and the Creative Spirit in the local universe passing down through constellation and system to planetary rulers.

I. GRAND UNIVERSE ADMINISTRATION

Fundamentals - I. Definitive  
3. Administration



II. ORVONTON ADMINISTRATION

Fundamentals - I. Definitive

3. Administration

Paradise Level

Paradise Periphery

Sub-Par. Level

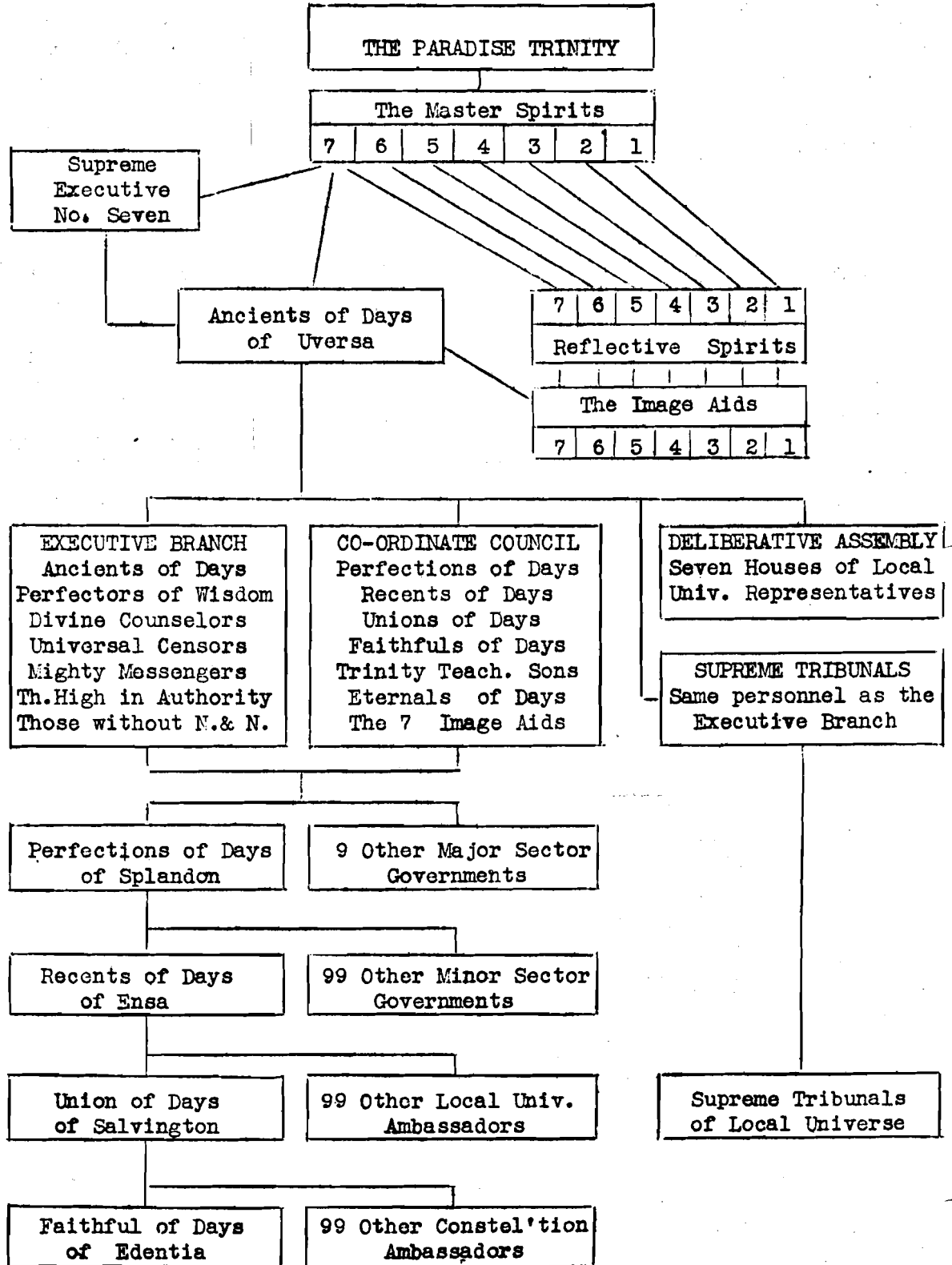
Orvonton Level

Major Sector

Minor Sector

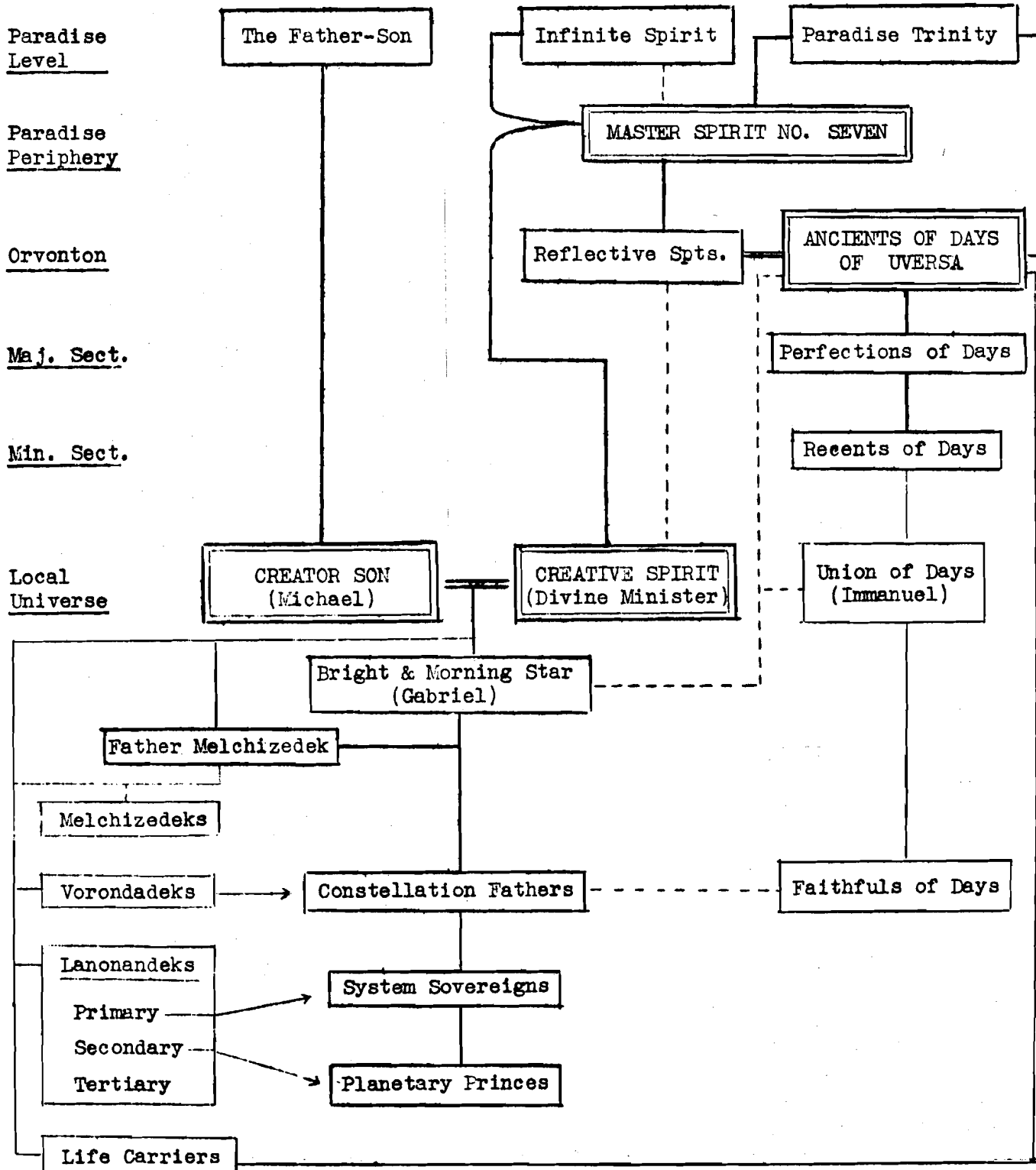
Local Universe

Const. Level



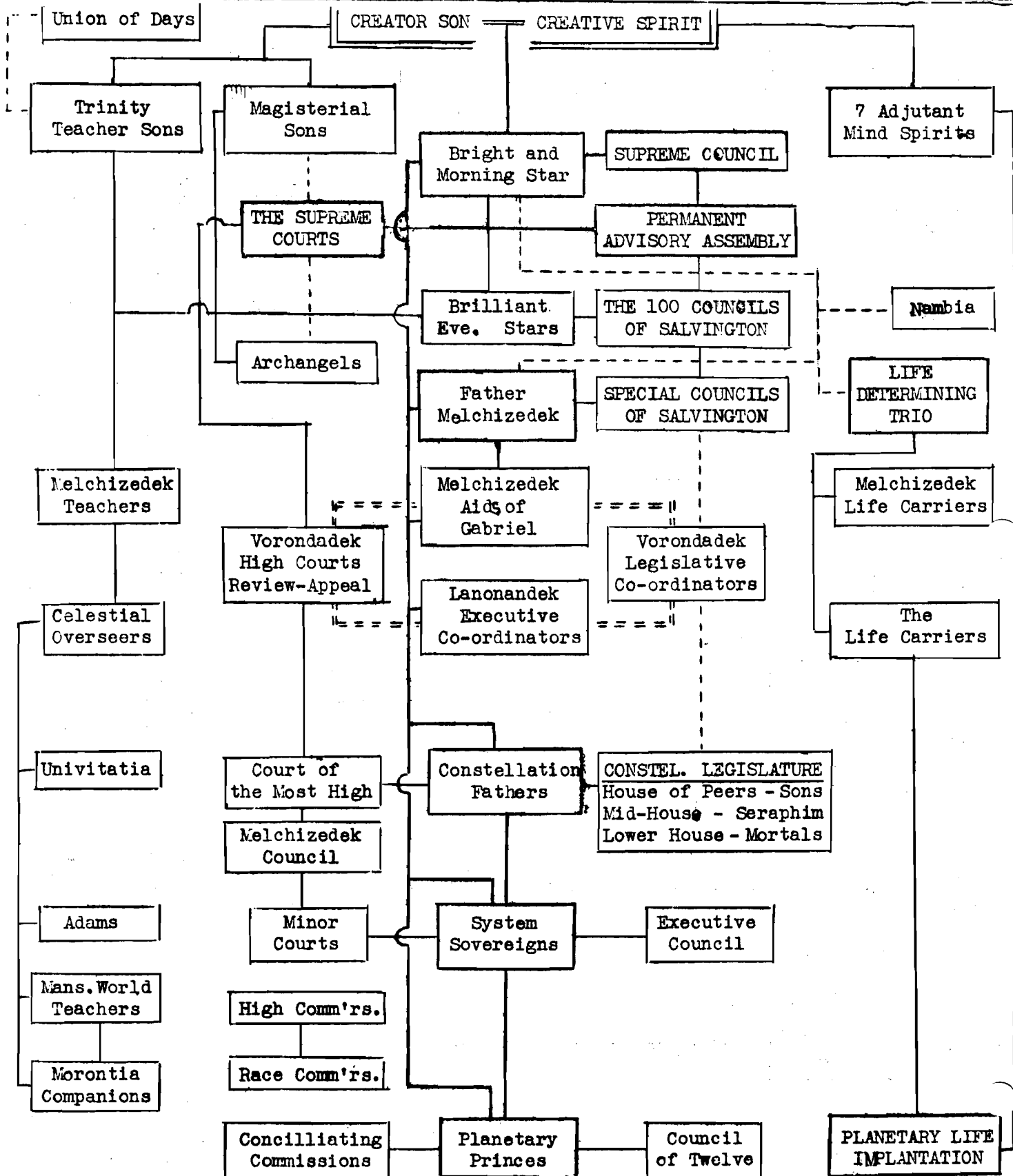
II. LOCAL UNIVERSE ADMINISTRATION

A. In relation to Orvonton and Paradise





B. Outline of Internal Administration



PAGE REFERENCES REGARDING  
THE NATURE, ORIGIN, AND ORGANIZATION  
OF THE URANTIA BOOK

---

1. The language handicap of revelation: Page 1, par. 2.
2. The Foreword by an Orvonton Commission: Page 1, par. 4.
3. Supplementation of planetary knowledge: Page 17, par. 1.
4. Priority given to existing human concepts: Page 16, par. 8;  
Page 1343, par. 1.
5. Restrictions placed upon revelation of truth: Page 1109, par. 4.
6. Spiritual wisdom versus genetic knowledge: Page 215, par. 2-9.
7. Midwayers' connection with the Urantia Papers: Page 865, par. 6, 7.
8. The human subject transmitting the Urantia Papers: Pages 865, par. 2;  
1208, par. 7; 1209, par. 1.
9. How the Urantia Papers were put in English: Page 1258, par. 1.
10. Concerning the inspiration of revelations: Page 1008, par. 3.
11. The Divine Counselor knows whereof he speaks: Page 32, par. 2.
12. Comprehension depends on the Divine Presence: Page 17, par. 2.
13. Revelatory religion keeps in contact with evolutionary religion:  
Page 1007, par. 1.

URANTIA BROTHERHOOD  
533 Diversey Parkway  
Chicago 14, Illinois